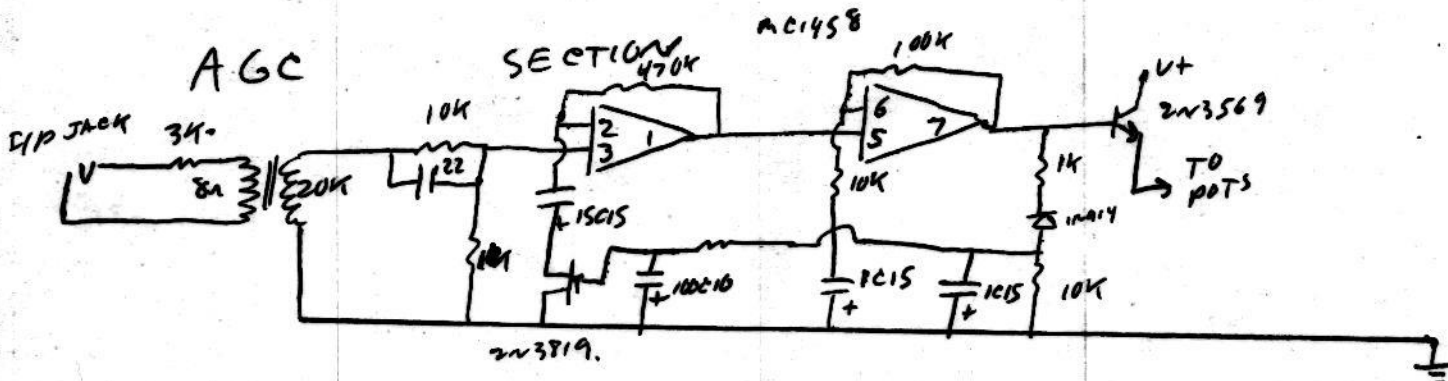


FRASER ELECTRONICS
 P.O. BOX 778 - EDMONTON, ALBERTA T5J 2L4 - (403) 428-9655

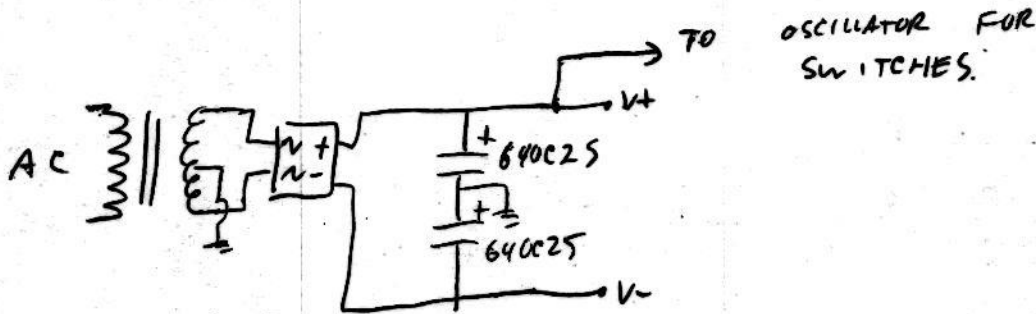
Caper

1/9

S/L BOARD.



S/L POWER SUPPLY



Aug 1 78
 D. From

FRASER ELECTRONICS
 P.O. BOX 778 · EDMONTON, ALBERTA T5J 2L4 · (403) 428-9655

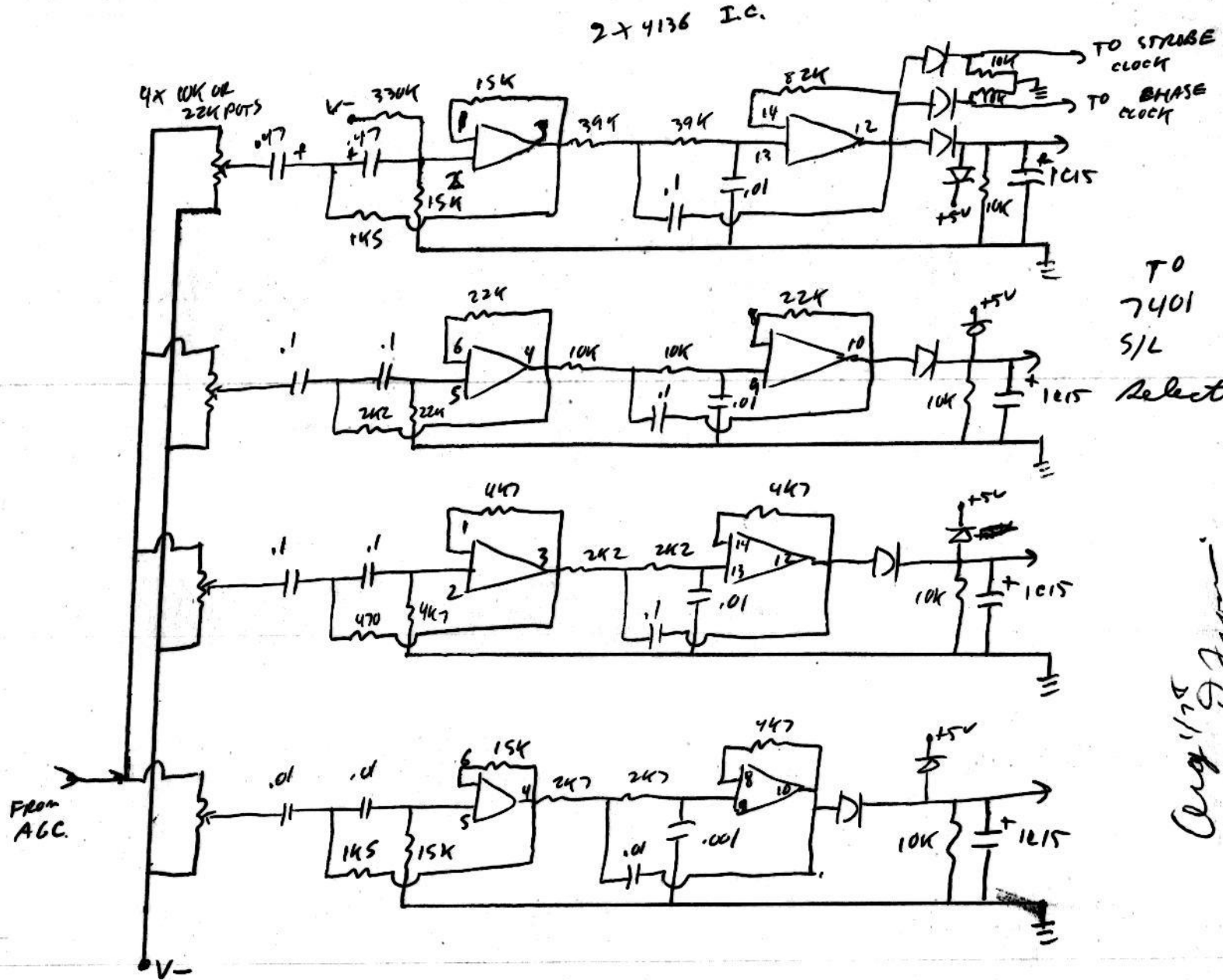
2/9

SECTION

FILTER

BOARD

S/L



2 x 4136 I.C.

TO
 7401
 S/L
 Selector.

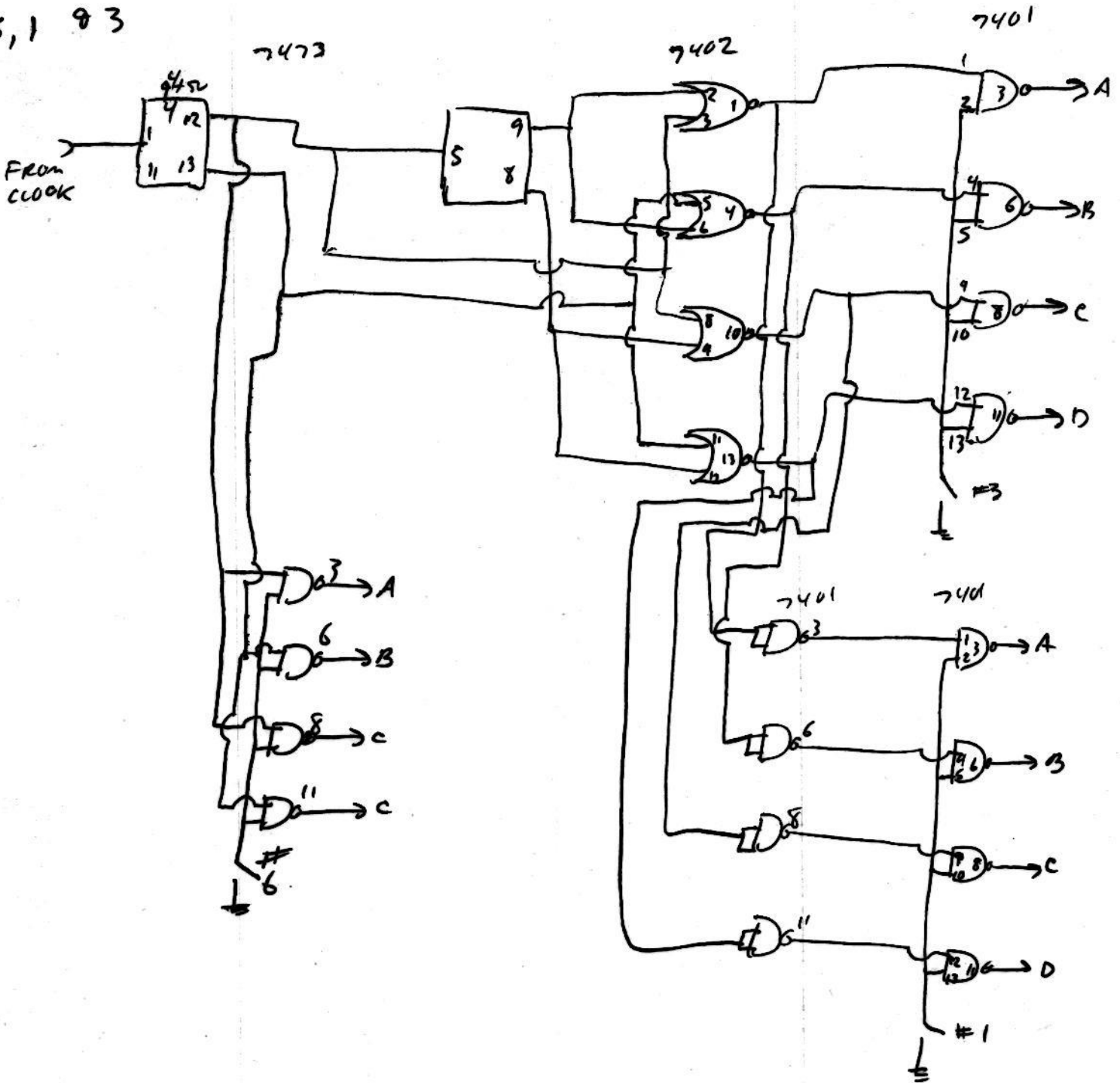
all DIODES
 = 1N34A

*Orig 1/75
 S/L from*

Chase Effects.

3/9

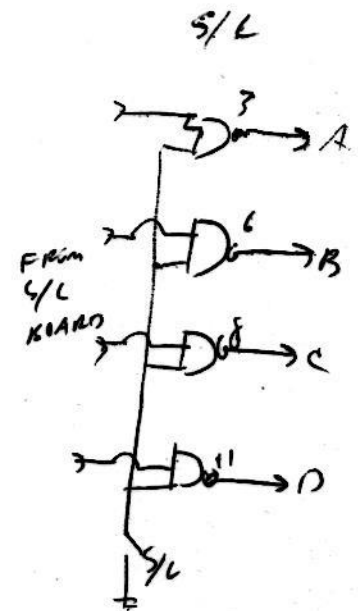
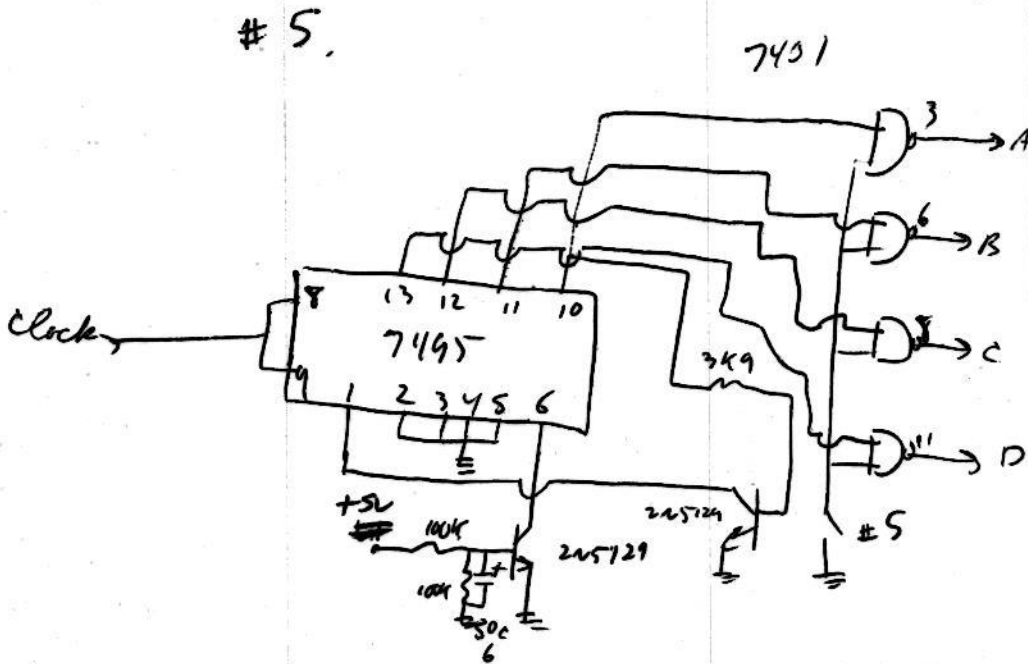
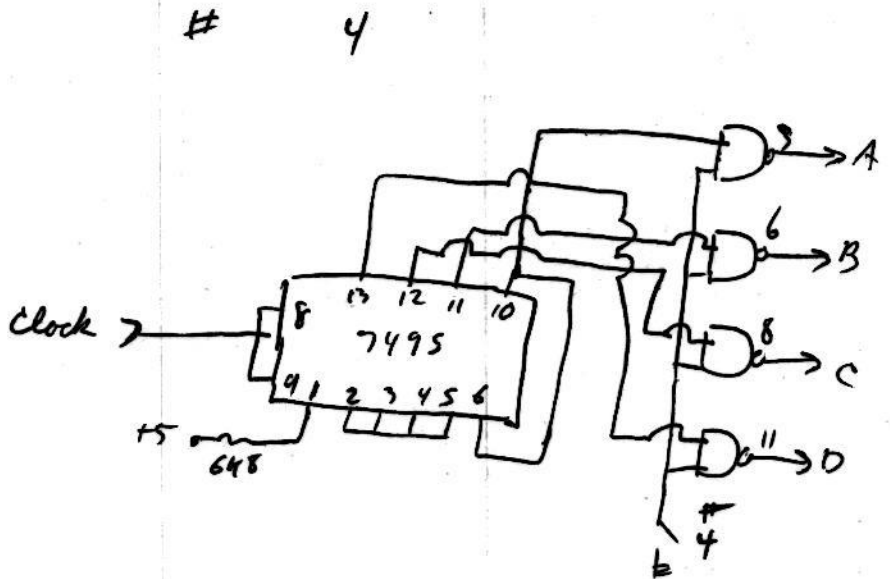
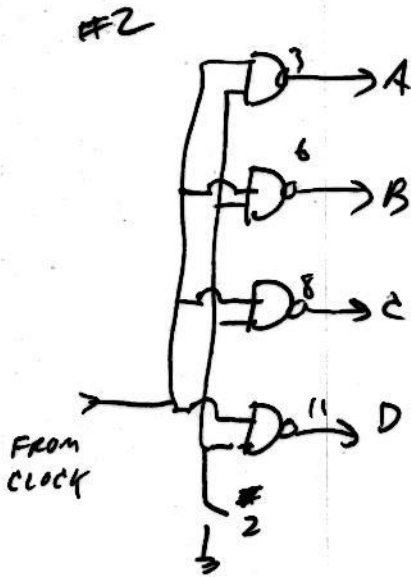
6, 1 8 3



Aug 1/78
 D. From

4/9

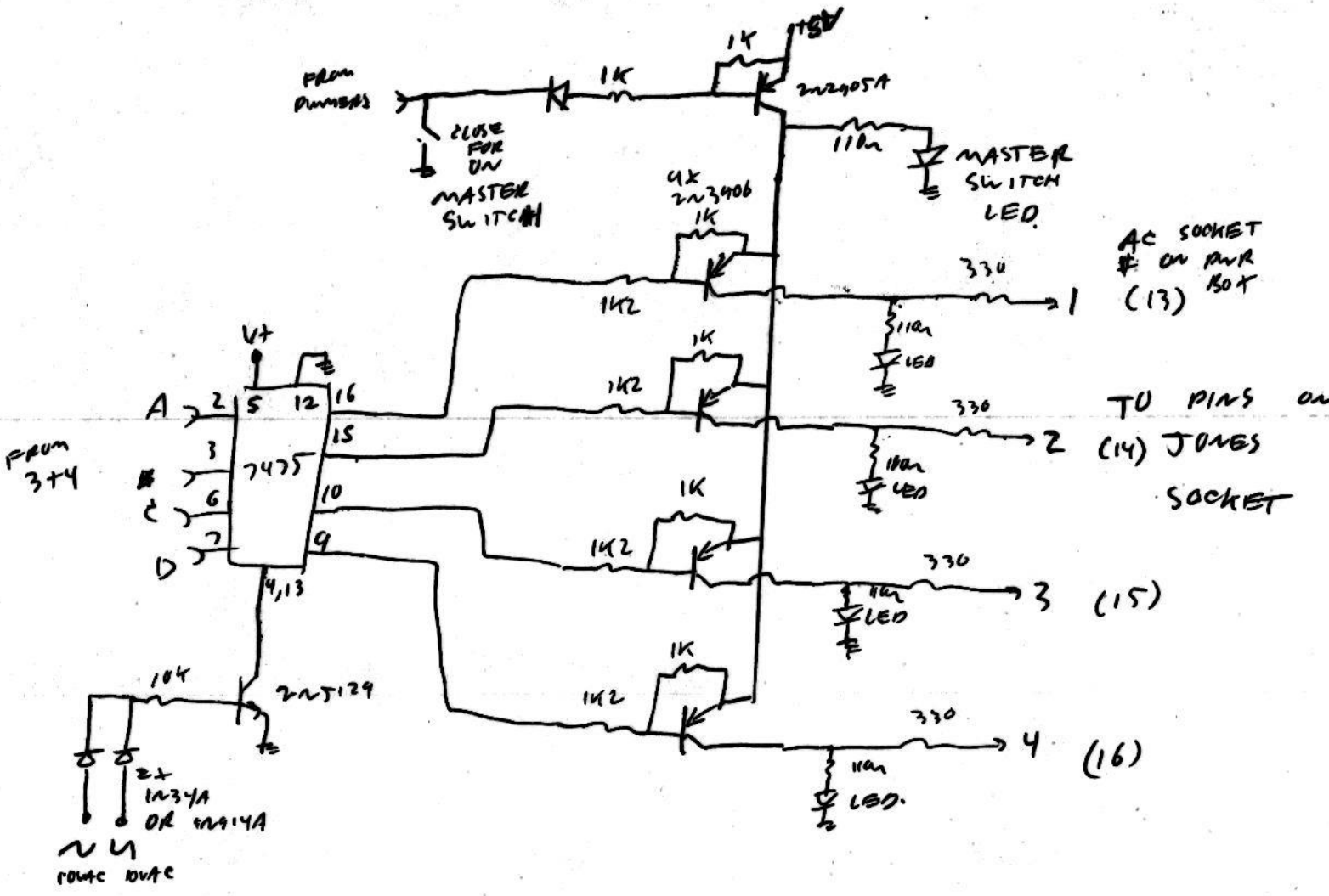
Chase Effects



Aug 1/78
 D. Fraser

Effects Output Section

5/9



AC SOCKET
 # ON PWR
 BOX
 (13)

TO PINS ON
 (14) JONES
 SOCKET

(15)

(16)

*Aug 1/78
 J. Fraser*

FRASER ELECTRONICS

P.O. BOX 778 · EDMONTON, ALBERTA T5J 2L4 · (403) 428-9655

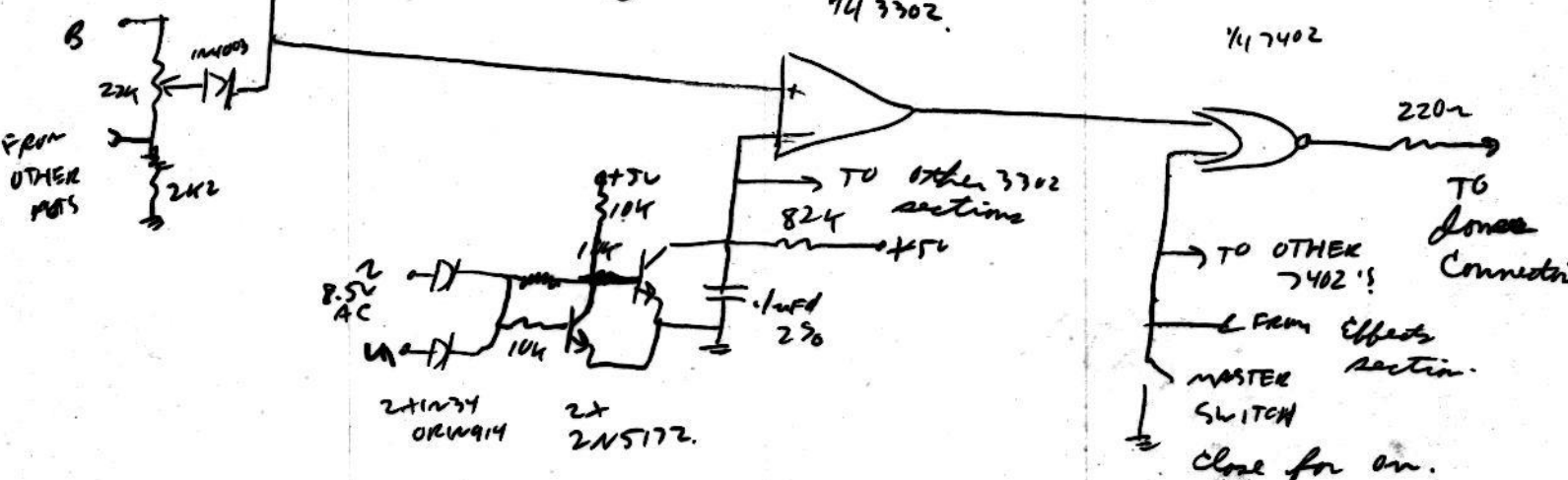
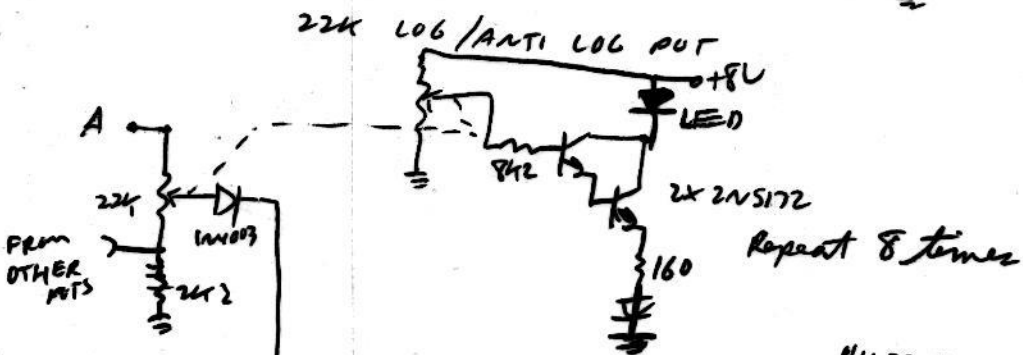
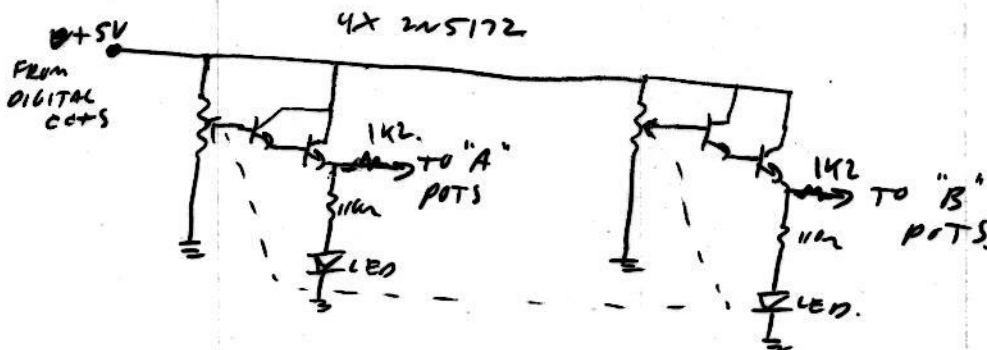
6/9

Dimmer Section

Cross Fade CCT

Jones
PWE socket #

5	-	12
6	-	11
7	-	10
8	-	9

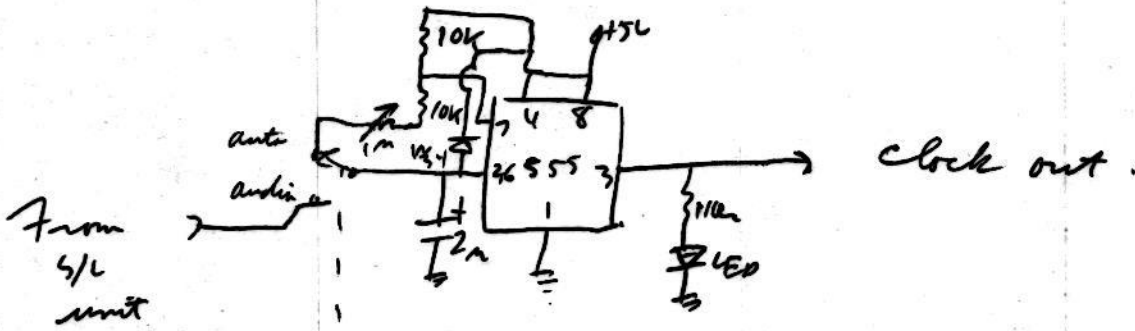


Repeat 4 times

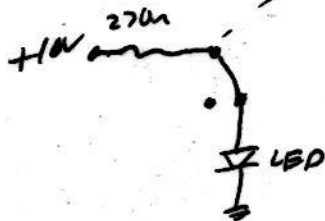
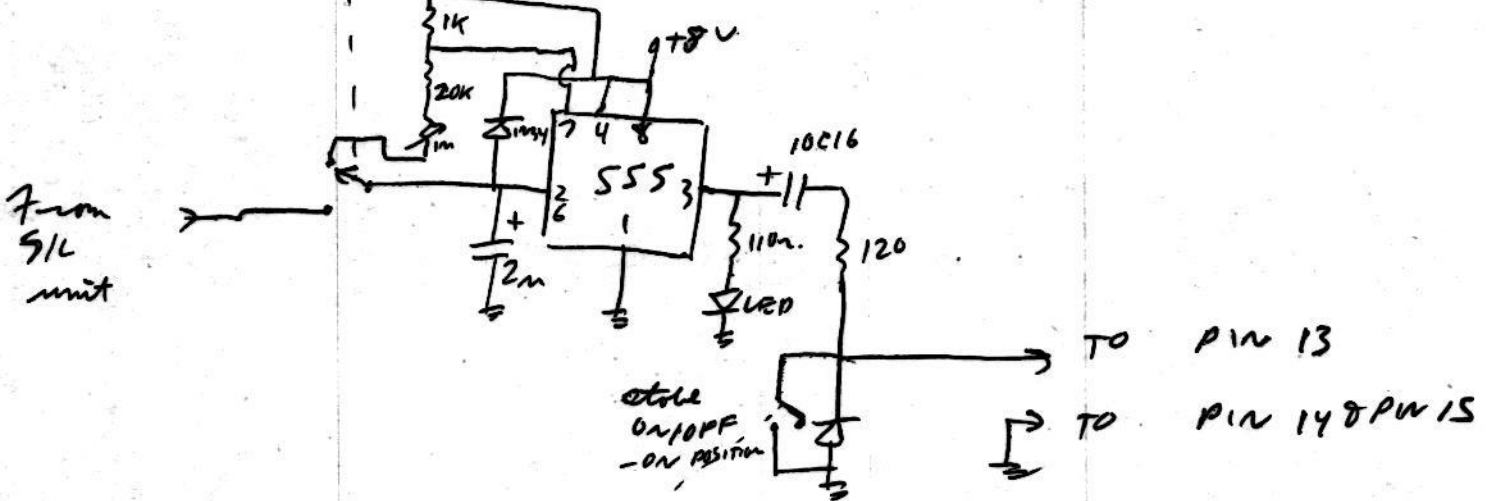
Aug 1/78
D. F. row

7/9

Clock cct

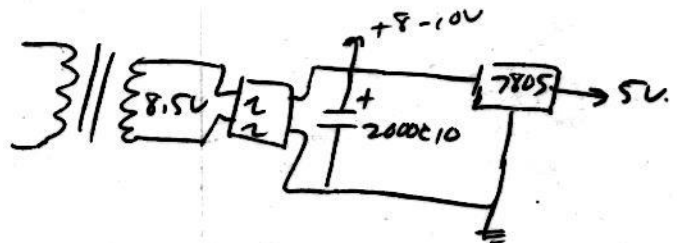


Strobe control



5V Power Supply.

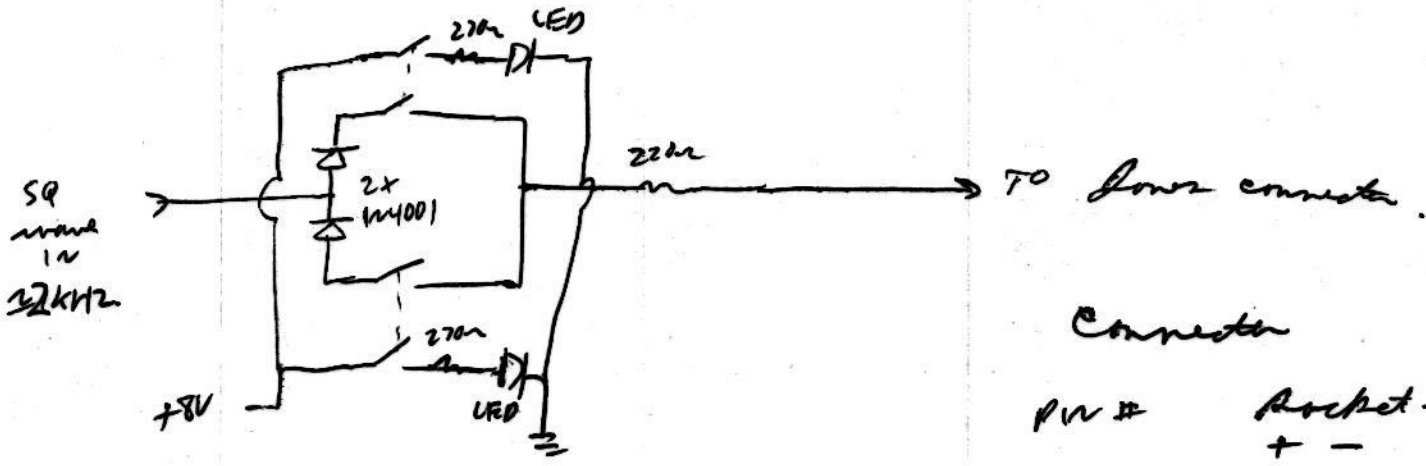
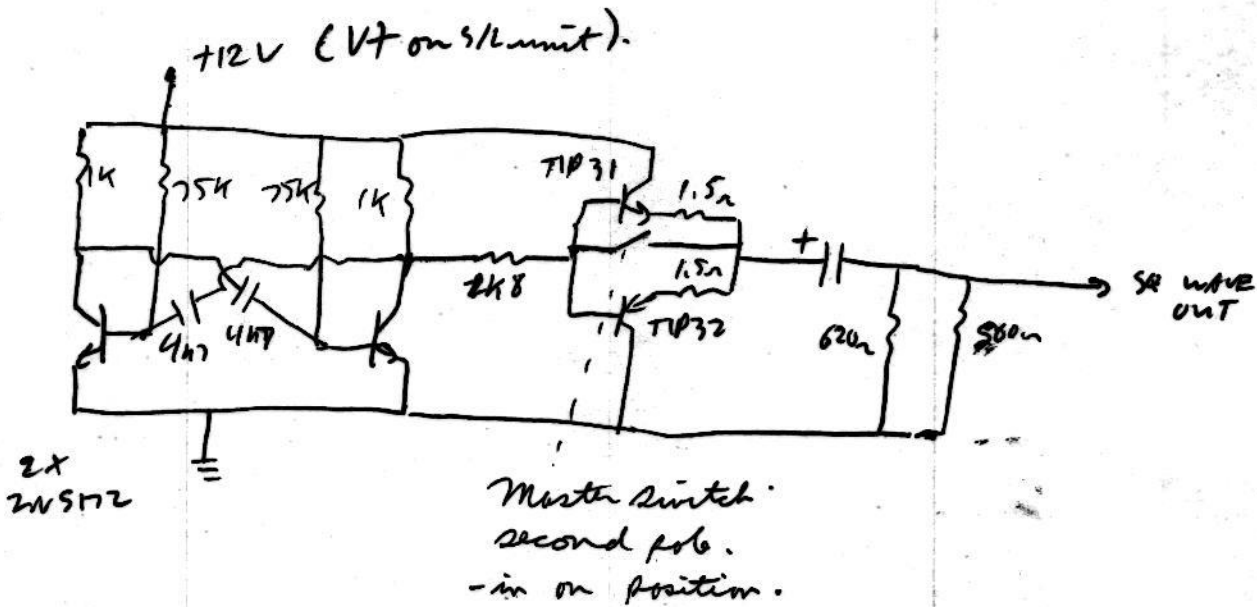
use
3/4A
S.B.
fuse



Any 1178
2 fuses.

8/9

SWITCHES



Repeat 4 times

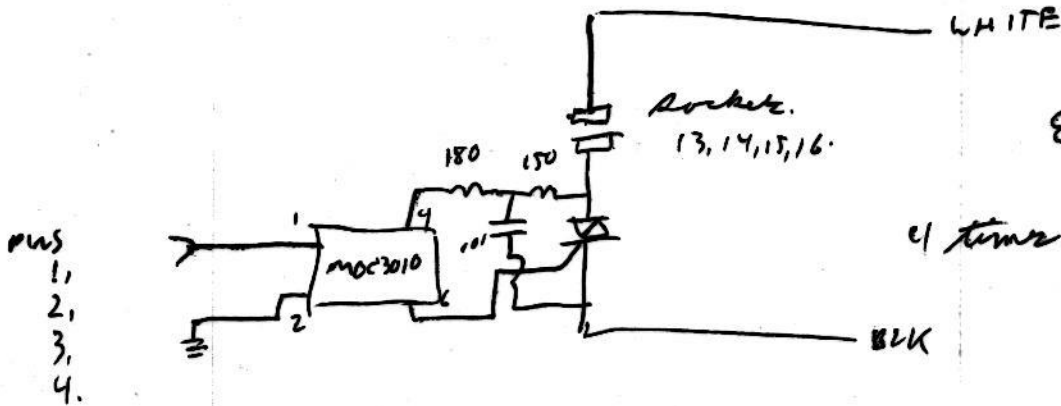
Connecta

PIN #	Socket.
	+ -
9	4, 8
10	3, 7
11	2, 6
12	1, 5

Aug 1/78
 J. Iron

9/9

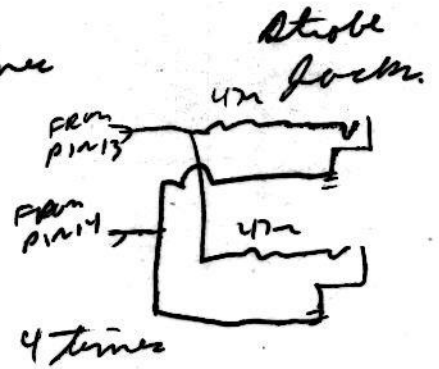
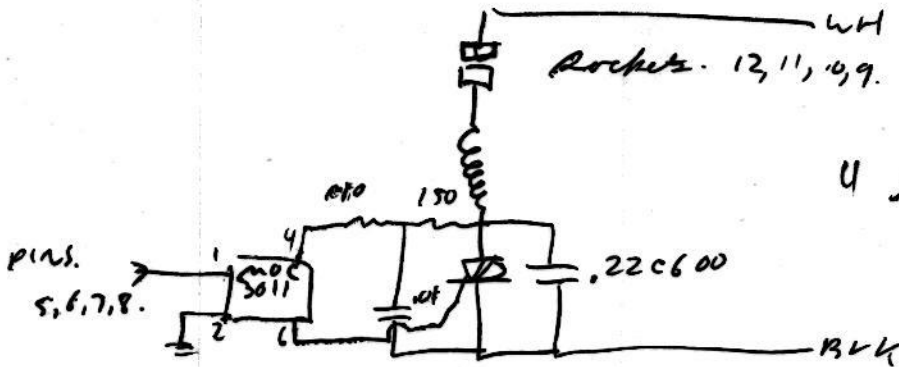
Power Box



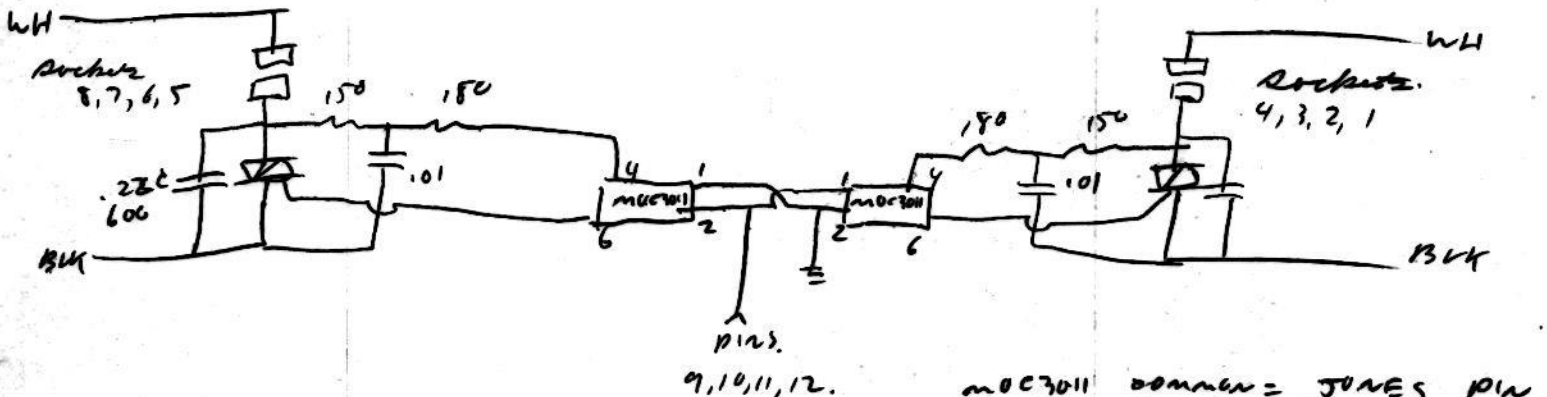
Effects CIRCUITS.

Dimmer

ALL TRIACS
 20A
 TIC 263B



Switches



Aug '178
 D. Aron.
 MOC3011 common = JONES PIN 15